

# OKA



OKA is a clear-lined ceiling-mounted diffuser with extremely good air and sound properties.

# OKA

Combining a round shape and round perforation, the OKA diffuser creates a “traditional” look in whatever room you want to install it. Its attractive, clean design blends with any other ceiling-mounted fixtures in the room.

OKA is a ceiling-mounted diffuser with extremely good air and sound properties combining a wide throw pattern with a high mixing ratio. Reliable measurement and quick, precise adjustment.

Fire safety is an important property in ventilation terminal devices. All Climecon products are made of sheet steel, making them as safe in a fire as possible. Thanks to the sheet steel structure, OKA does not burn, which improves fire safety and increases evacuation time by limiting the uncontrolled spreading of combustion gases from one room to another.

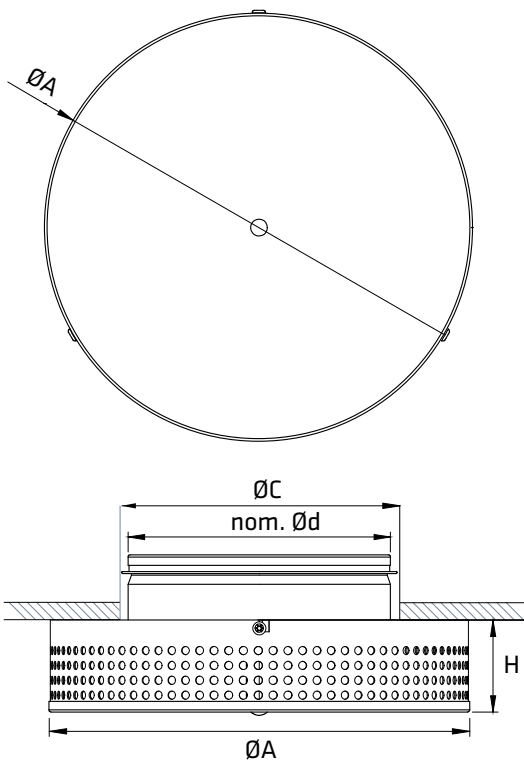


# OKA

A special model, **OKA-S**, is available for saunas and small rooms.

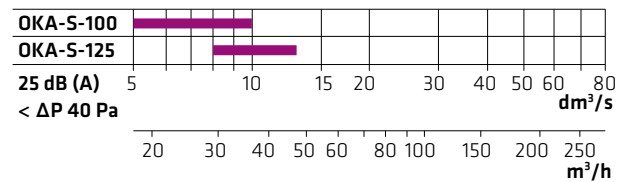
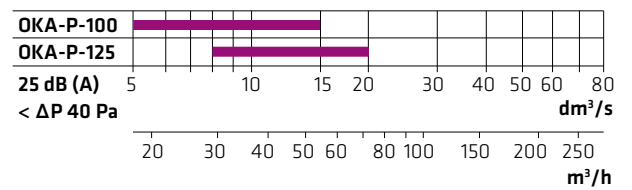
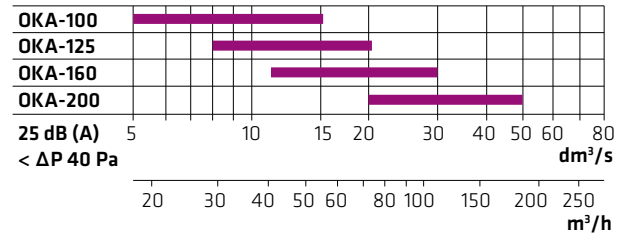


## Dimensions



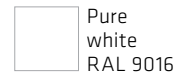
	nom. Ød	ØA	ØC	H	kg
<b>OKA-100</b>	100	205	115	45	0,7
<b>OKA-125</b>	125	205	140	54	0,8
<b>OKA-100P</b>	100	205	115	45	0,7
<b>OKA-125P</b>	125	205	140	54	0,8
<b>OKA-160</b>	160	255	175	56	1,1
<b>OKA-200</b>	200	320	220	65	1,6

## Quick guide

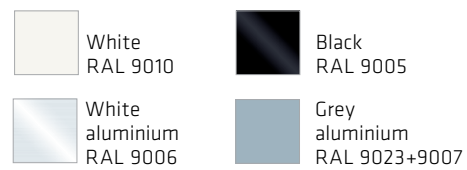


## Colours

Standard colour:



Also available in these colours:

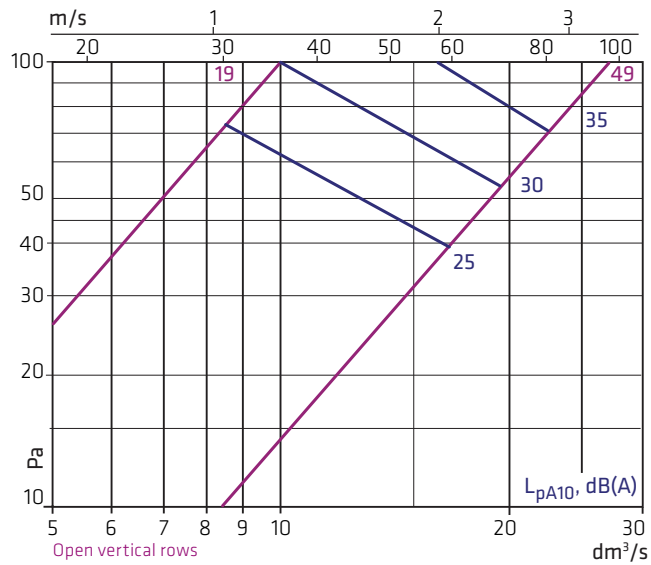


OKA-D is designed for use with flexible plastic ducts. Connections 2 x Ø75. Other dimensions same as on OKA-100.

## Dimensioning

The graphs are not intended for adjustment.

### OKA-100 and OKA-100P



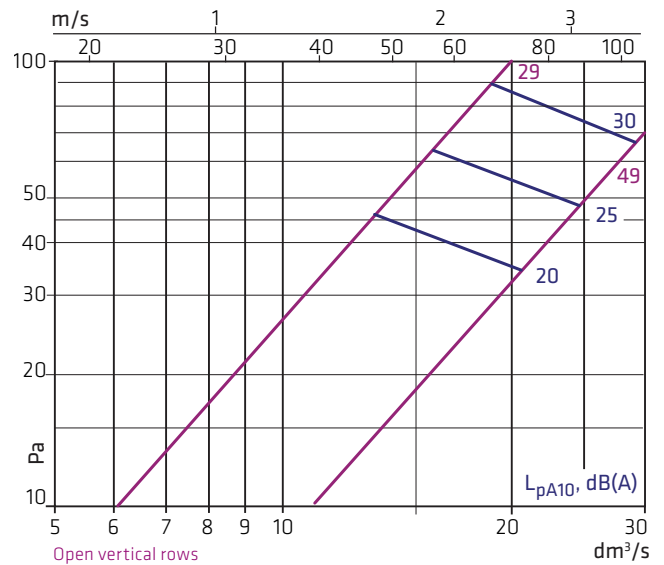
$L_{w\text{okt}} = L_{pA10} + K$

f, Hz	63	125	250	500	1k	2k	4k	8k
K, dB	-3	-7	-5	-1	-2	-2	-7	-10

$\Delta L$  (dB)

f, Hz	63	125	250	500	1k	2k	4k	8k
$\Delta L$ , dB	22	16	10	4	5	3	5	8

### OKA-125 and OKA-125P



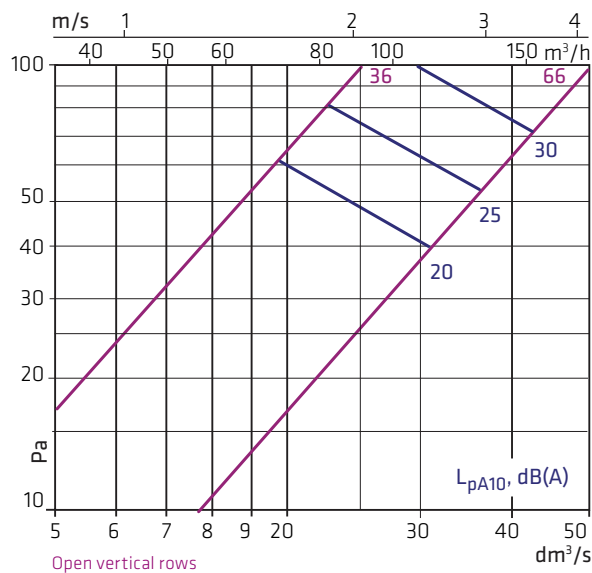
$L_{w\text{okt}} = L_{pA10} + K$

f, Hz	63	125	250	500	1k	2k	4k	8k
K, dB	-5	-6	-3	-1	-2	-2	-7	-12

$\Delta L$  (dB)

f, Hz	63	125	250	500	1k	2k	4k	8k
$\Delta L$ , dB	20	13	8	4	4	4	5	7

### OKA-160



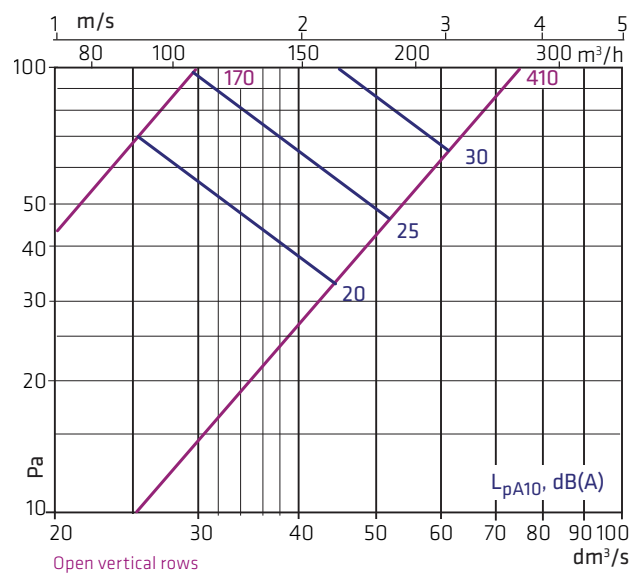
$L_{w\text{okt}} = L_{pA10} + K$

f, Hz	63	125	250	500	1k	2k	4k	8k
K, dB	-4	-6	-4	-1	-1	-3	-10	-14

$\Delta L$  (dB)

f, Hz	63	125	250	500	1k	2k	4k	8k
$\Delta L$ , dB	17	11	7	9	4	5	5	4

### OKA-200



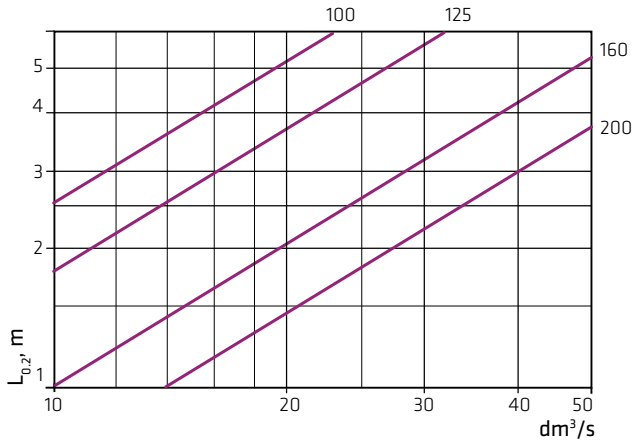
$L_{w\text{okt}} = L_{pA10} + K$

f, Hz	63	125	250	500	1k	2k	4k	8k
K, dB	-1	-5	-3	-2	0	-3	-8	-16

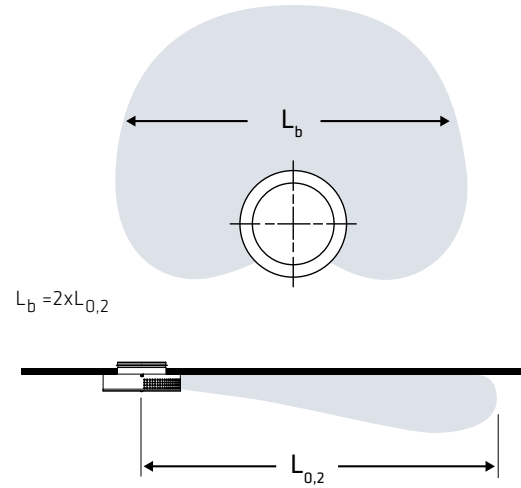
$\Delta L$  (dB)

f, Hz	63	125	250	500	1k	2k	4k	8k
$\Delta L$ , dB	15	9	5	8	3	5	5	4

### Throw length



### Throw pattern



Device fully open, mounted on the ceiling.

### Airborne sound insulation

Sound attenuation for air ducts between rooms  $D_{n,e,w}$  dB

Supply air

Size	OKA	OKA+VAL
100	42	61
125	41	65
160	41	64
200	41	60

VAL is a dampening box with angular air flow.

### Sound attenuation

Sound level will increase if cover distance is below  $3 \times \phi d$ :

- after bend +5 dB (A)
- after T joint +8 dB (A)

