

RONDO



RONDO is a supply air diffuser using the swirl principle. Thanks to its good mixing ratio, it is suitable for low-temperature air supply.

RONDO

RONDO easily becomes the centrepiece of your ceiling-mounted fixtures. Yet, it doesn't attract undeserved attention thanks to its calm perforation pattern.

RONDO is a low structure swirl diffuser with an excellent mixing ratio. The structure and direction of the throw pattern effectively keep the ceiling surface from becoming soiled.

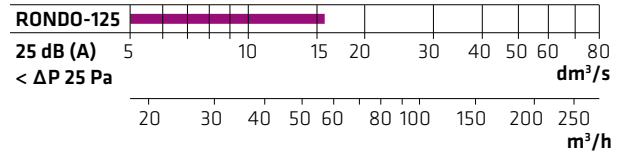
Fire safety is an important property in ventilation terminal devices. All Climecon products are made of sheet steel, making them as safe in a fire as possible. Thanks to the sheet steel structure, RONDO does not burn, which improves fire safety and increases evacuation time by limiting the uncontrolled spreading of combustion gases from one room to another.

RONDO

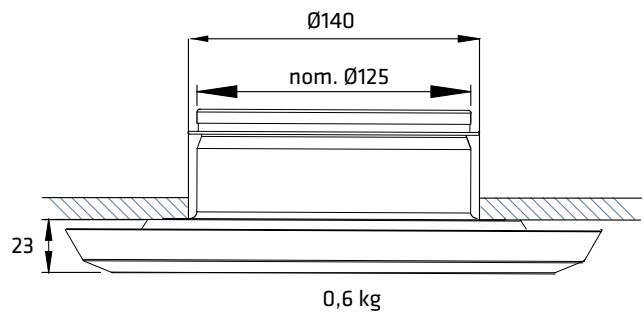
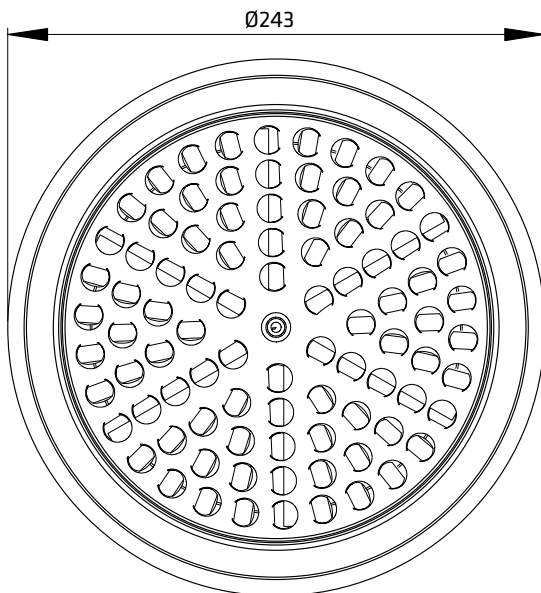
RONDO is a supply air diffuser using the swirl principle. Thanks to its good mixing ratio, it is suitable for low-temperature air supply.



Quick guide



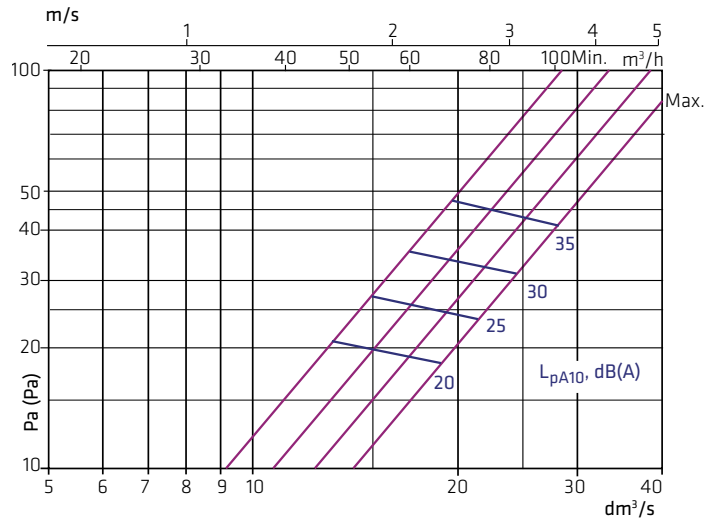
Dimensions



Dimensioning

The graphs are not intended for adjustment.

RONDO-125



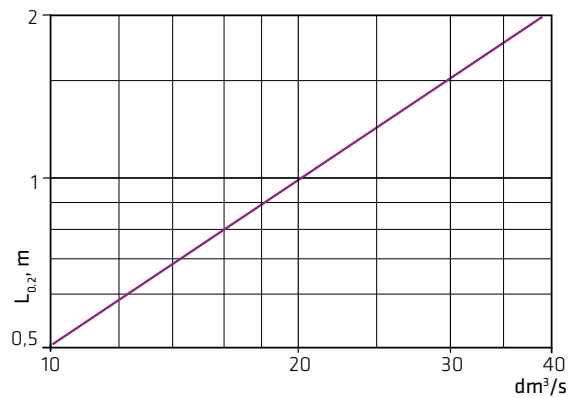
$$L_{w\text{okt}} = L_{pA10} + K$$

f, Hz	63	125	250	500	1k	2k	4k	8k
K, dB	-16	-2	0	1	-1	-3	-9	-15

ΔL (dB)

f, Hz	63	125	250	500	1k	2k	4k	8k
ΔL, dB	20	14	9	3	1	0	3	5

Throw length



Airborne sound insulation

Sound attenuation for air ducts between rooms $D_{n,e,w}$ dB

Supply air

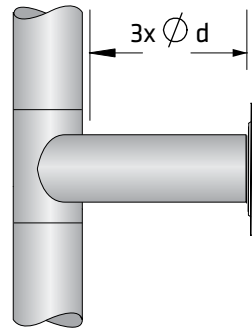
Size	RONDO	RONDO+VAL
125	40	60

VAL is a dampening box with angular air flow.

Sound attenuation

Sound level will increase if cover distance is below $3x\phi d$:

- after bend +4 dB (A)
- after T joint +8 dB (A)



Throw pattern

